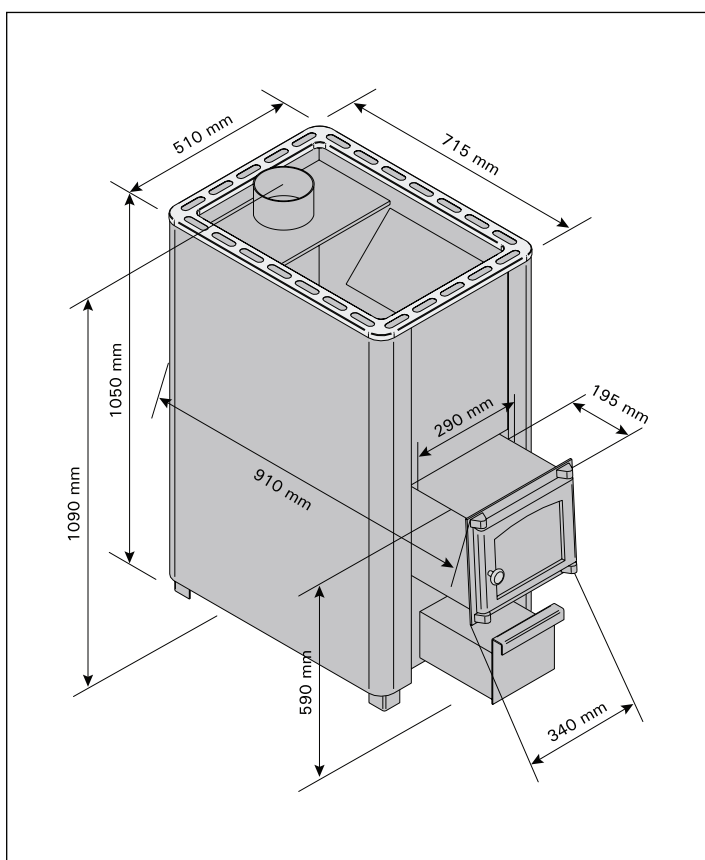


50 SL



12022007

