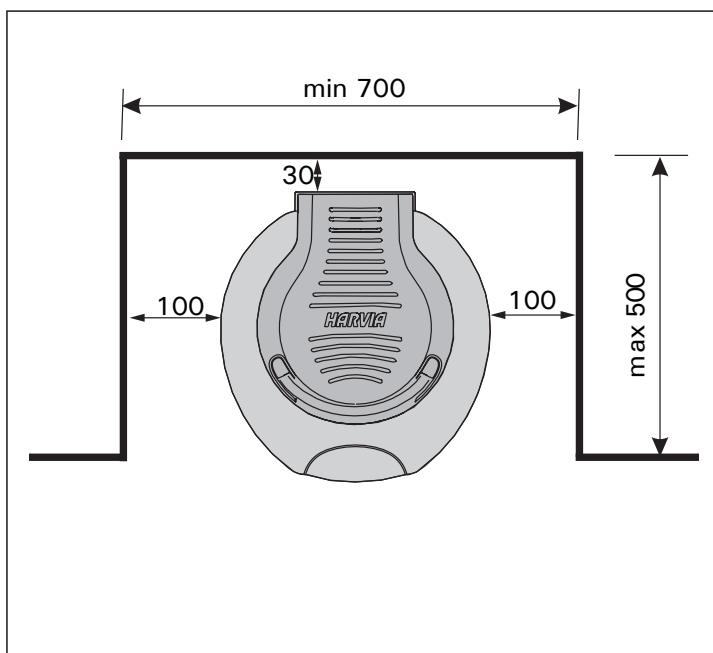


**Minimum safety distances from the heater (mm)**



**Installation of the heater in a recess**