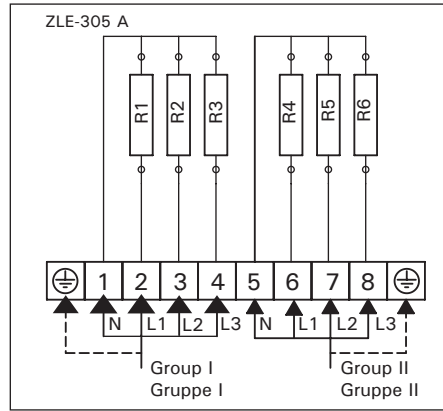
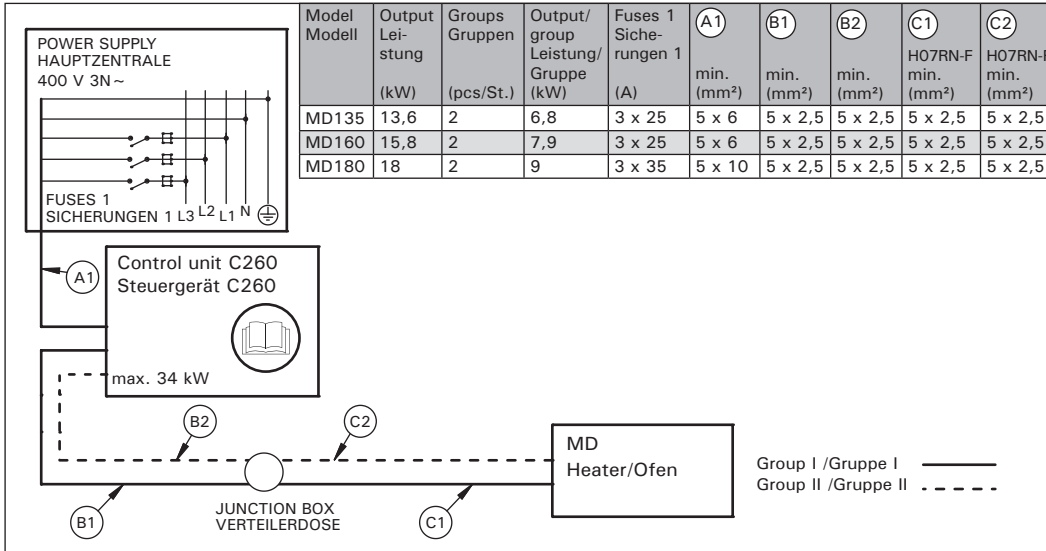


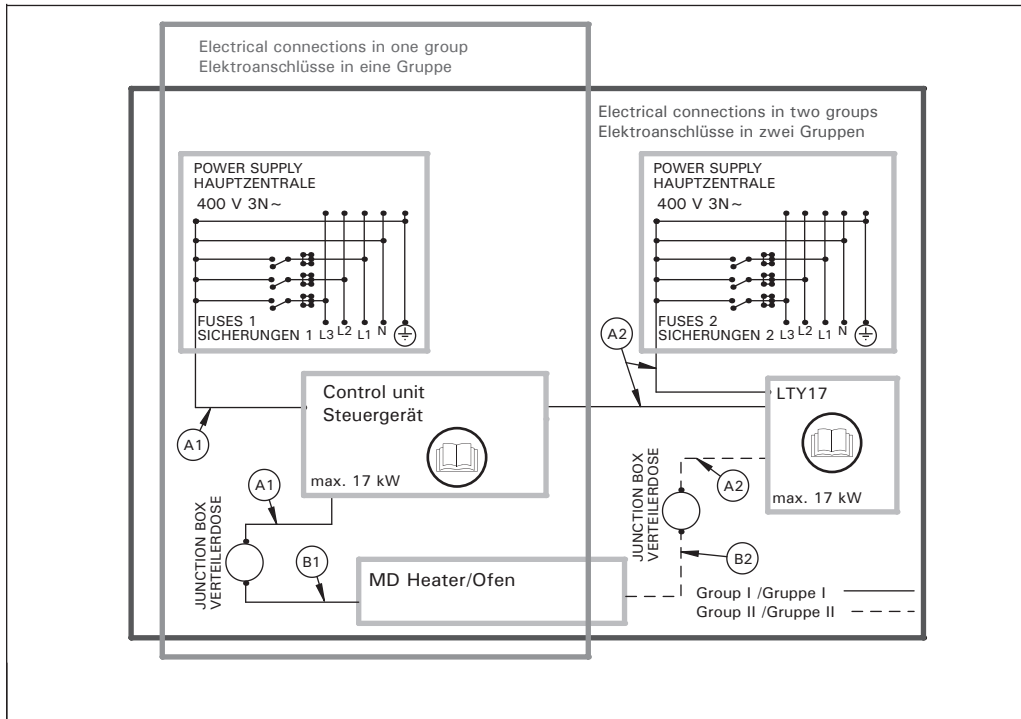
Electrical connections



The heater's electrical connections in two groups



Electrical connections of control unit C260 and MD heater



| Model Modell | Output Leistung (kW) | Groups Gruppen (pcs/St.) | Output/ Group Leistung/ Gruppe (kW) | Fuses 1 Sicherungen 1 (A) | Fuses 2 Sicherungen 2 (A) | A1 min. (mm <sup>2</sup> ) | A2 min. (mm <sup>2</sup> ) | B1 H07RN-F min. (mm <sup>2</sup> ) | B2 H07RN-F min. (mm <sup>2</sup> ) |
|--------------|----------------------|--------------------------|-------------------------------------|---------------------------|---------------------------|----------------------------|----------------------------|------------------------------------|------------------------------------|
| MD135        | 13,6                 | 1                        | 13,6                                | 3 x 25A                   | -                         | 5 x 6                      | -                          | 5 x 2,5                            | -                                  |
| MD160        | 15,8                 | 1                        | 15,8                                | 3 x 25A                   | -                         | 5 x 6                      | -                          | 5 x 2,5                            | -                                  |
| MD180        | 18                   | 2                        | 9                                   | 3 x 16A                   | 3 x 16A                   | 5 x 2,5                    | 5 x 2,5                    | 5 x 2,5                            | 5 x 2,5                            |

Electrical connections of control unit and MD heater