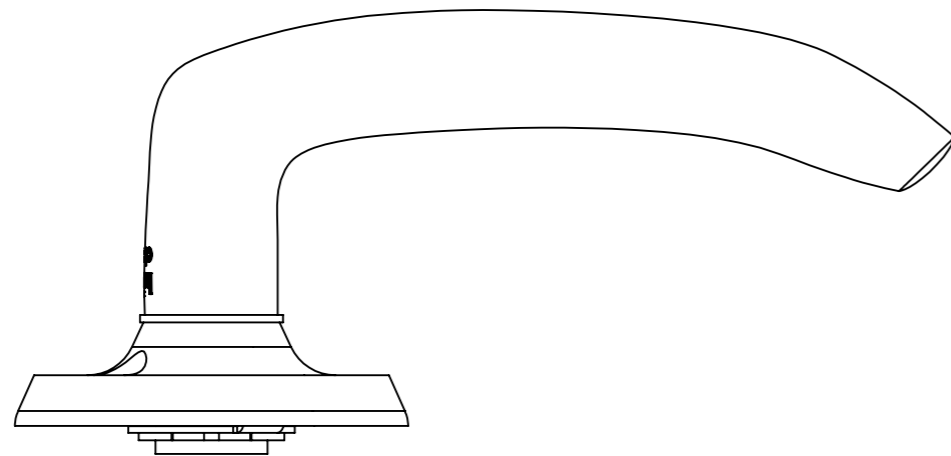
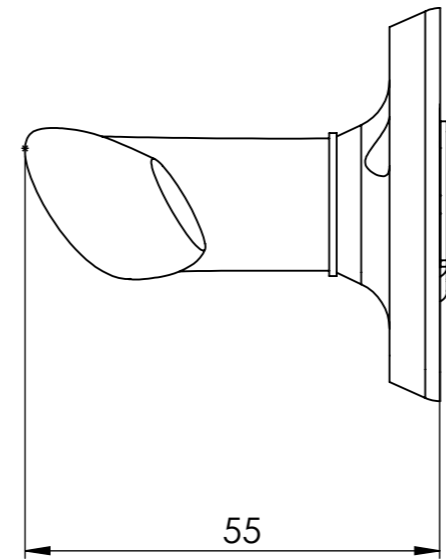
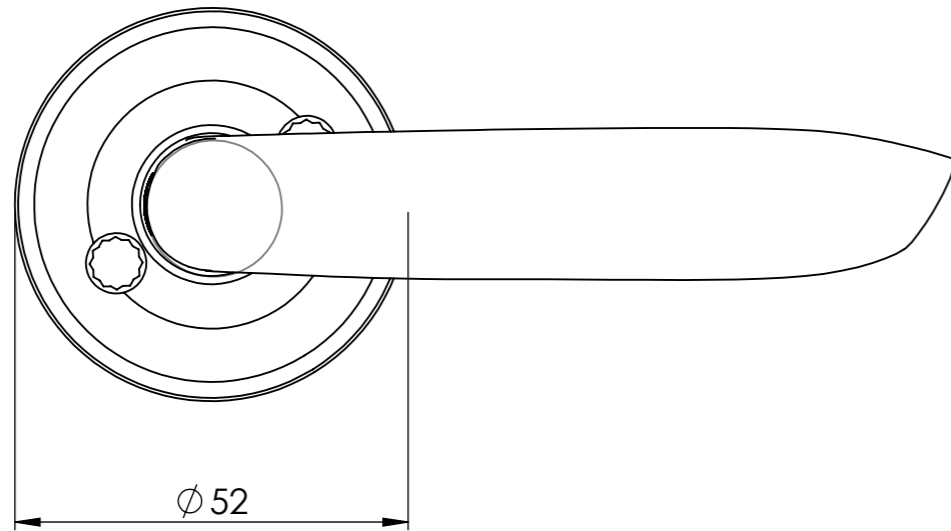
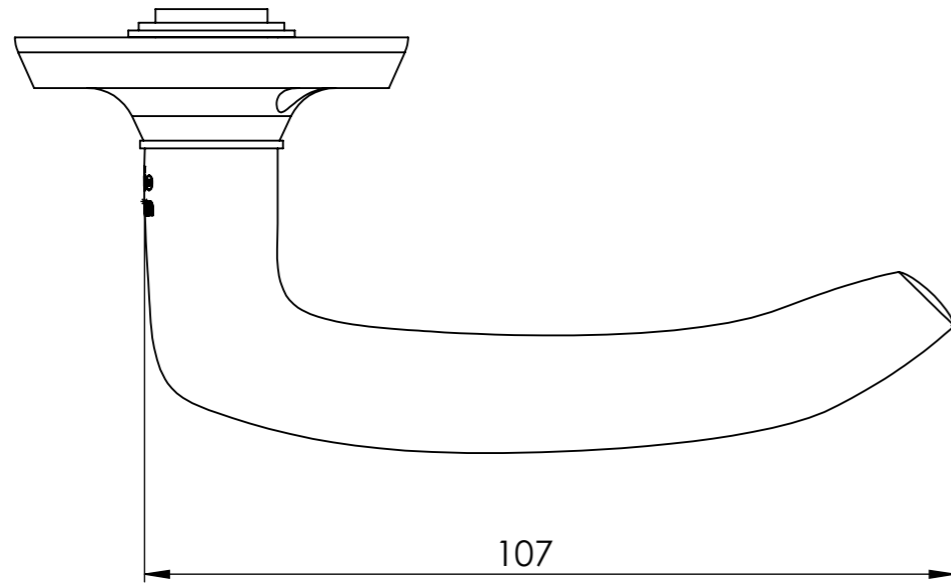


Rev	Note	CreatedBy	Appr.By	Appr.Date



Tolerance			Project		
Sign.	Date	Surface treatment	Weight	Scale	First angle projection
Drawn	CF	2017-09-12	Surface finish	1:1	
Appr.		Heat treatment	Material		Sheet
<b>habo</b> <sup>®</sup>			Title/Description		1/1
			Drawing number		Rev
			17221		