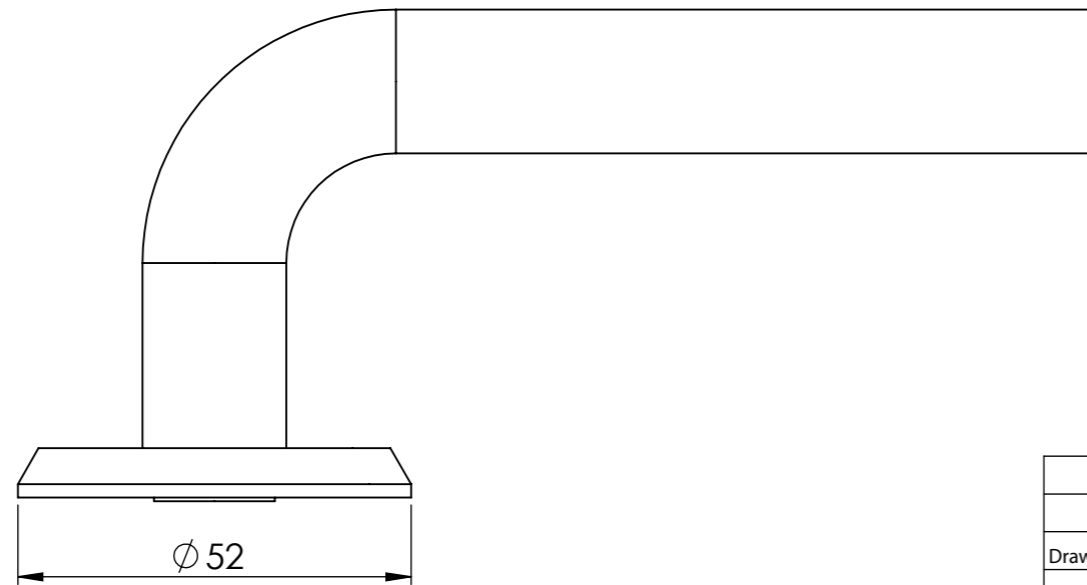
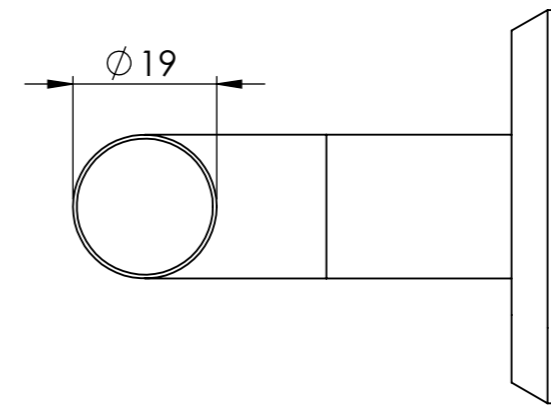
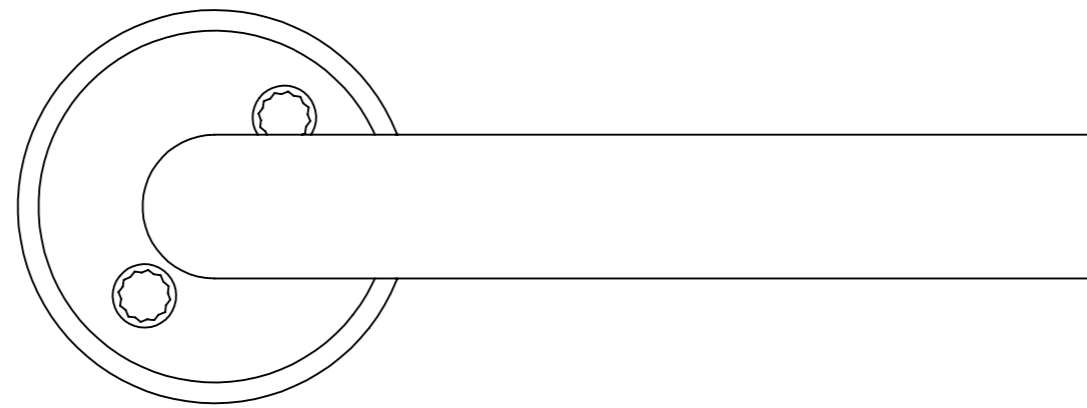
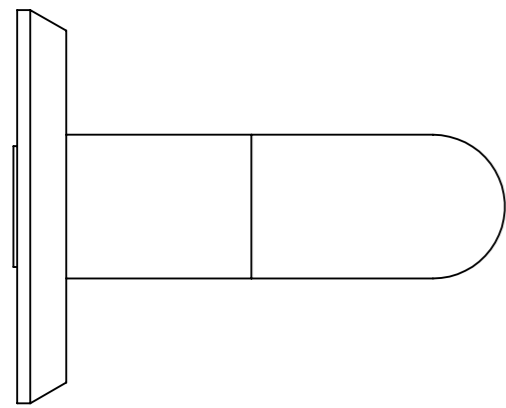
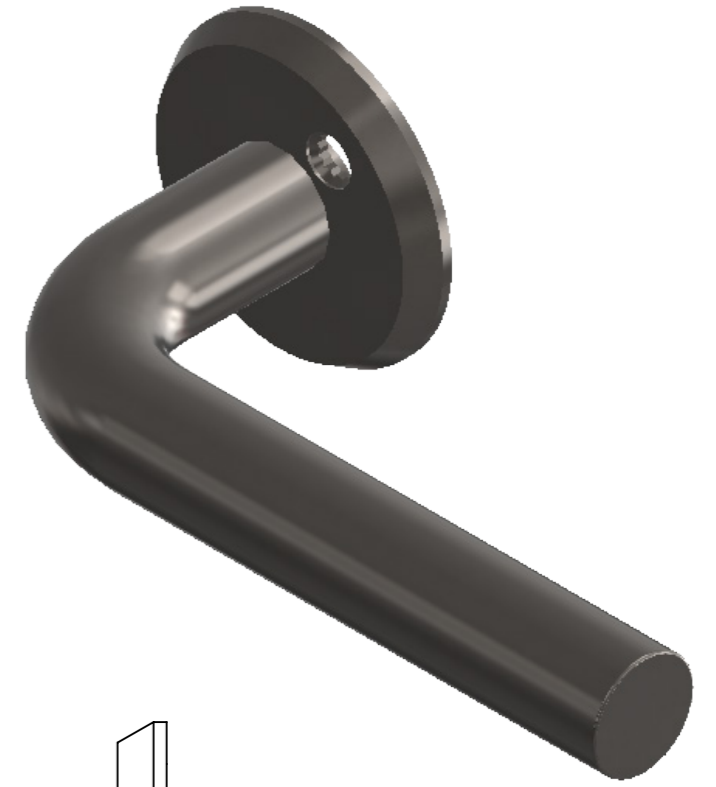
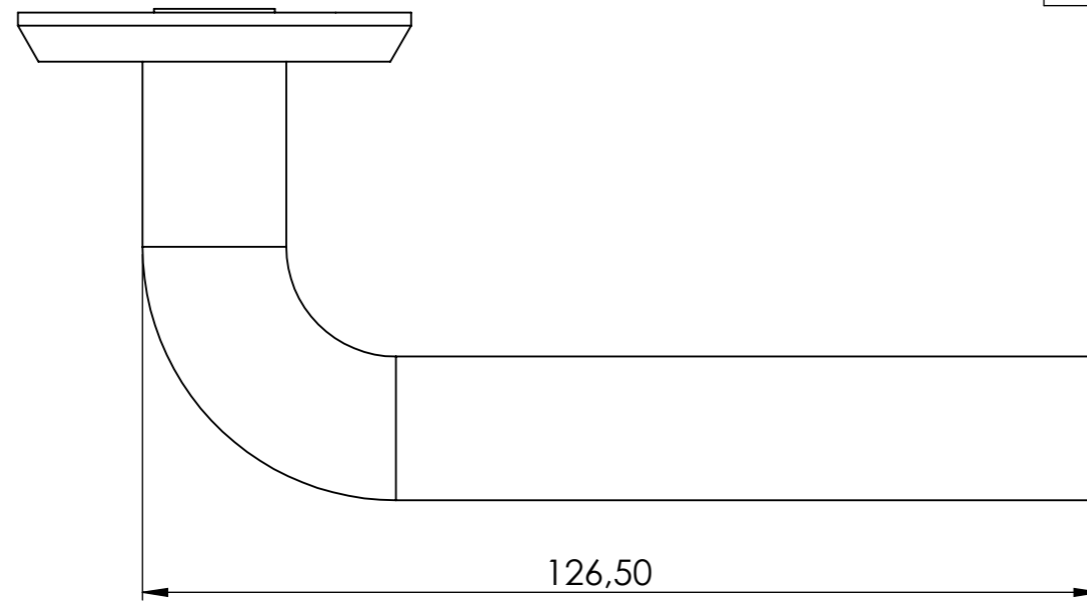


Rev	Note	CreatedBy	Appr.By	Appr.Date



Sign.		Date	Tolerance	Project	
Drawn	CF	2017-10-26	Surface treatment	Weight	Scale
Appr.			Surface finish	0	1:1
			Heat treatment	Material	
			Title/Description	Sheet	
			habo®	17948	
				Drawing number	
					Rev
					1/1